



DESCRIPTIONS

The AC High Bay PIR Sensor and Controller BMS-L104 is compatible to other BlueMesh Devices which utilizes Bluetooth technology for reliable and secure wireless communication. BMS-L104 has been equipped algorithm to maximum the detection range up to 40ft high without false trigger.

FEATURES

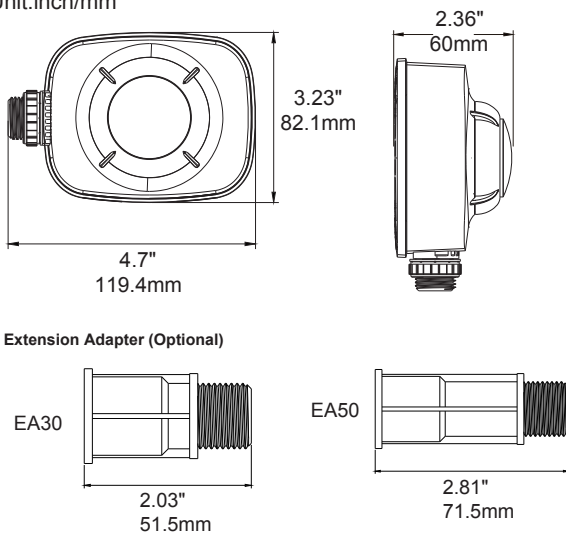
- Designed for Outdoor and High Bay applications
- Algorithm enhance performance in high bay applications
- Analog Sensor Built-in
- Replaceable lens options
- 120-277V Line Voltage input
- Daylight Harvesting Available
- Outdoor and Cold Temperature Rated

SPECIFICATIONS

Input Voltage	AC120-277V
Input Current	6A Max @ 120V, 6A Max @ 277V
Input Power	720-1662W Max
Output Current	6A Max @ 120V, 6A Max @ 277V
Output Power	720-1662W Max
Dimming	Class 2, 0-10V DC 10mA Max
Sinking Current	10mA Max
Bluetooth Transmit	200ft Max
Radio Frequency	2.4GHz ± 75MHz
Bluetooth Version	4.2/5.0
Housing Material	UL 94-5VA
Detection Range	40-80ft
Mounting Height	20-40ft
Operating Temperature	-30°C to 55°C, -22°F to 131°F
Storage Temperature	-30°C to 85°C, -22°F to 185°F
IP Rating	IP66
Color	White
Warranty	5 years warranty
Compliance	UL8750, RoHs

PHYSICAL DIMENSIONS

Unit: inch/mm



Extension Adapter (Optional)

EA30

EA50

ORDERING INFORMATION

MODEL	DESCRIPTION
BMS-L104-B1-PIR-1-BLE-KL-SMO	External Bluetooth Network Wireless High Bay Sensor and Fixture Controller
LS03-HB1-2-WH	HB1 High Bay Lens
LS03-HB3-2-WH	HB3 High Bay Lens
EA30	Extension Adapter
EA50	Extension Adapter

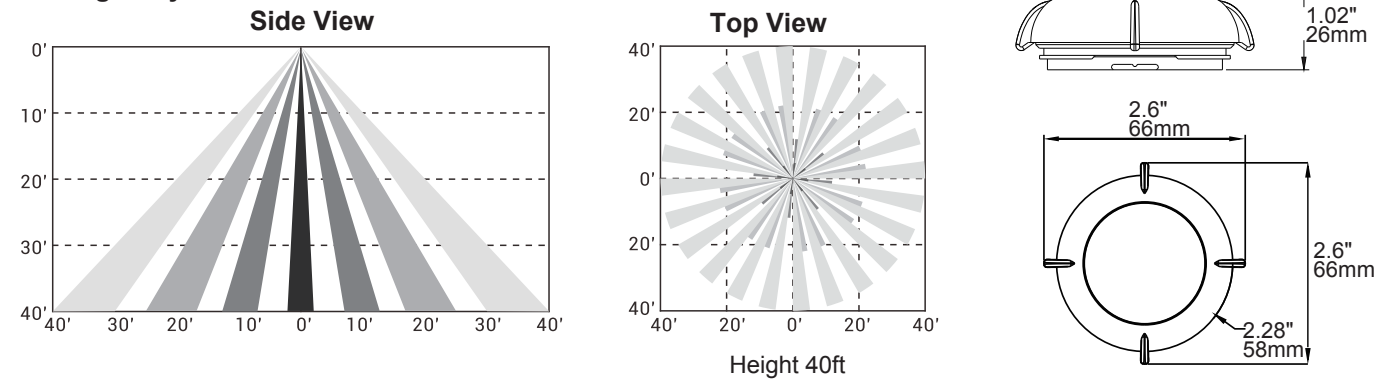
Mating Receptacle and Lens (not included in the product package)



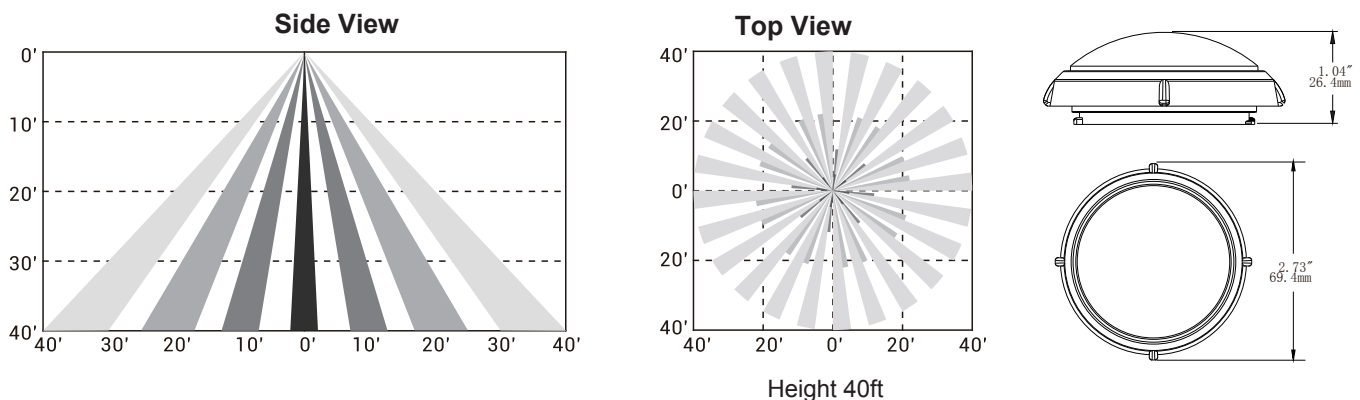
DETECTION AREA

Unit: inch/mm

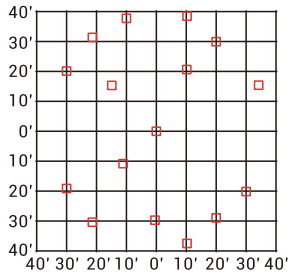
HB1 High Bay Lens



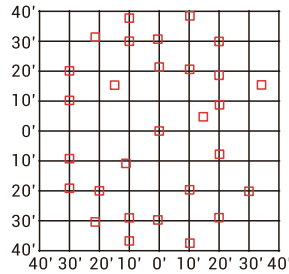
HB3 High Bay Lens



DETECTING SPOTS FOR REF

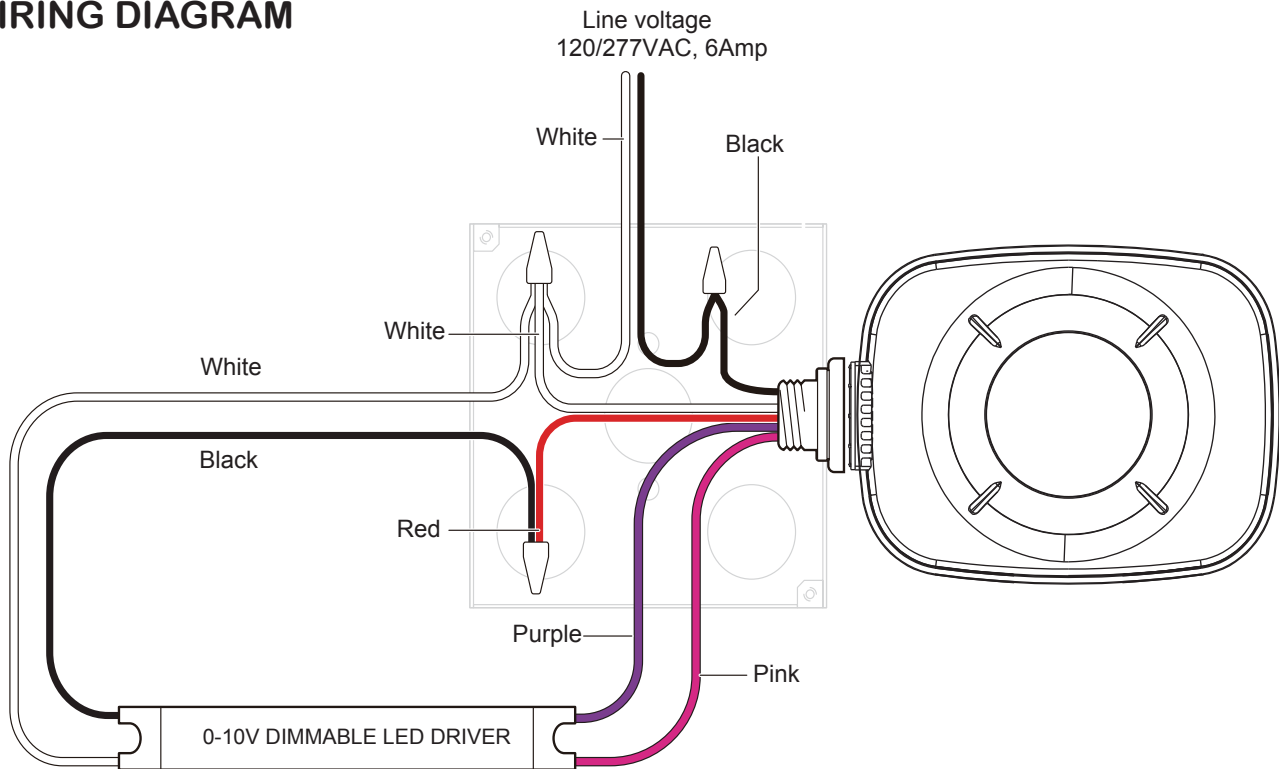


HB1 Lens



HB3 Lens
(more detected points)

WIRING DIAGRAM



WARRANTY

Five year limited warranty.

Specifications subject to change without notice.